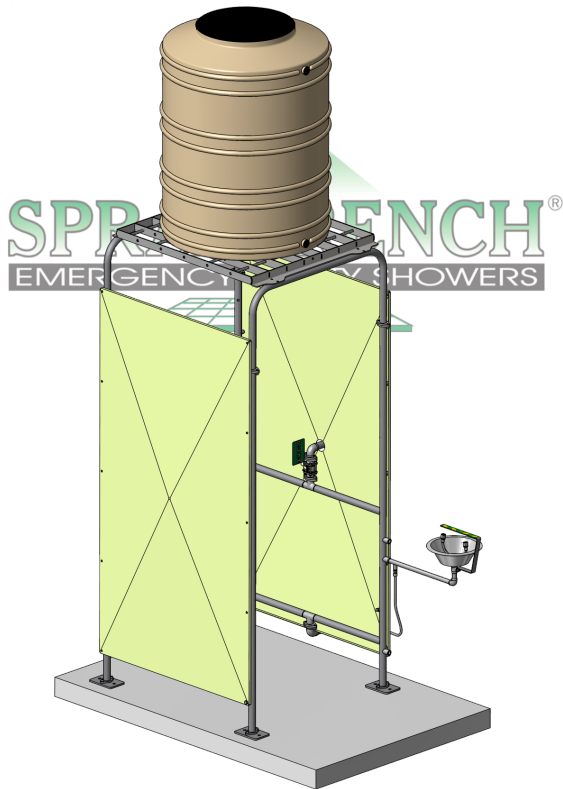


WHEN SAFETY COMES FIRST
SPRAYDRENCH[®]
 EMERGENCY SAFETY SHOWERS

MO 044 SHOT



Detailed Description

Manually Operated Four Column Decontamination Unit c/w Hand/Push Operated Rigid Emergency Eyewash Station c/w Twin Aerator Nozzle with Dust Caps With 500 Liter Tank Back Up Independent Safety Shower

Optional Extras

- Scald &/or Freeze Protection Valve
- PVC Strip Curtain
- Additional Options Available on Request

Best Suited Applications

- Very high risk areas
- Hazardous substances load/offloading
- Decontamination
- Chemical and toxic material processing
- Hazardous substances mixing areas
- Chemical plants
- Intermittent water supply

Inlet : 1" BSP(F)

Primary Shower Nozzles (22 off SD14DN)
 181 lpm

Eyewash: Twin Aerator Nozzles
 20 lpm

Back-up Shower Nozzle (1 off SD114DN)
 Nozzle Flow Duration for
 One Full Tank ±8 (min)

Flow Rates at design pressure of ±2.5 bar(g)

Additional Info.

Material of Construction Stainless Steel
 Approx. Floor Foot Print (cm) ±160 (L) x120 (W) x235 (H)
 Single Unit Weight (kg) ±90
 Typ. Single Unit Pack Dim. (cm) ±240 (L) x130 (W) x75 (H)

All **SPRAYDRENCH**[®] products are manufactured according to the following standards:

ANSI Z358.1-2014
 DIN 12899-3:2008

EN15154-1:2006-12
 EN15154-2:2006-12
 EN15154-5:2019-12

Further Detail Available on Request

- Manually Operated
- Four Column Free Standing
- Stainless Steel
- Hand Operated Eye Wash
- c/w Over Head 500 Liter Tank
- c/w Independent Back Up Shower

MO 044 SHOT

TEL: +27 (0)11 466 2100 | FAX: +27 (0)11 466 0618

spray nozzle (PTY) LTD

sales@spraynozzle.co.za

PO BOX 2369, HALFWAY HOUSE, SOUTH AFRICA, 1685 | REG:1971/014137
 WWW.SPRAYDRENCH.CO.ZA | WWW.SPRAYNOZZLE.CO.ZA

SPRAYDRENCH[®]
 EMERGENCY SAFETY SHOWERS